



Low profile sow ingot

Shapes/Forms:

Low Profile Sow Ingots

Weight: 680 kg

Dimensions: 1,095 mm x 1,163 mm x 298 mm
(length x width x height)

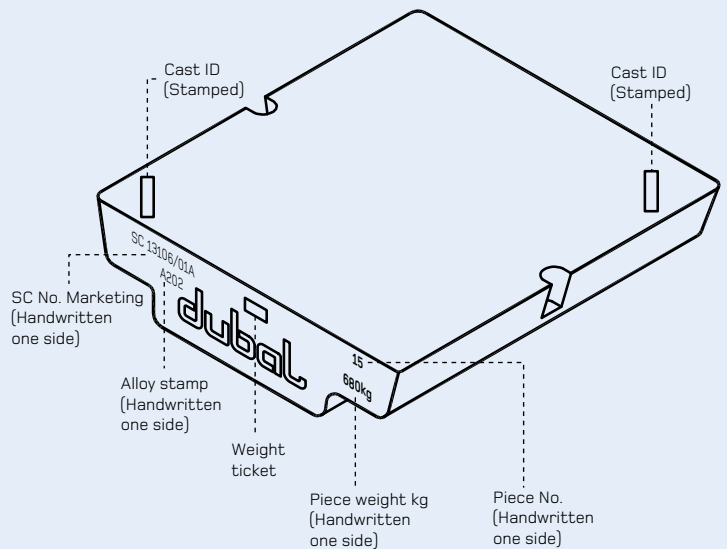
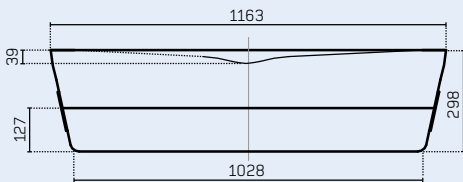
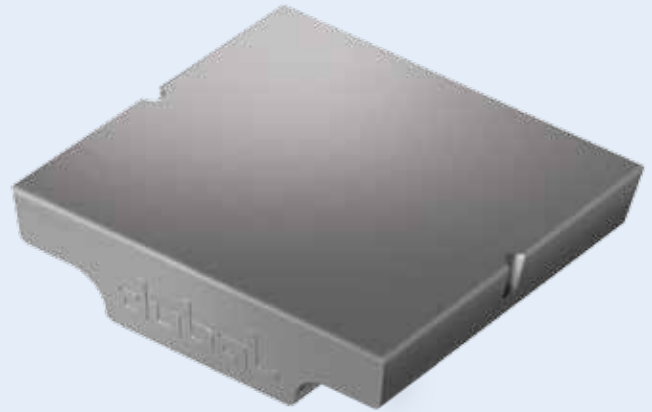
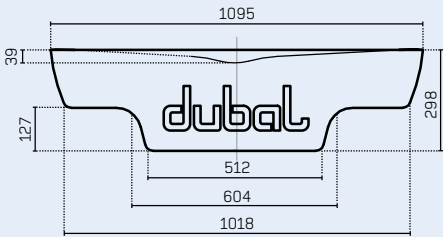
Purities:

Ranging from 99.84% to 99.98% aluminium content.

Specification can be customised to AA registered P0507A, P0303A, P0404A, P0304A, P0202A, P0101A.

Packaging:

Convenient for fork-lift handling.



NOTE:
All dimensions are approximate.
All dimensions are in mm.