

# Billet

## Forms:

### Cut length tolerances

405 mm to 2,000 mm:  $\pm 3$  mm  
 2,001 mm to 7,500 mm:  $\pm 10$  mm

### Bow tolerance

2 mm per meter length of a log and  
 12 mm for overall length of a log

### Squareness of cut

1 mm per 100 mm of the diameter; or  
 0.50 maximum deviation

## Diameters:

152 mm, 155 mm, 178 mm, 203 mm, 216 mm,  
 228 mm, 254 mm, 279 mm, 305 mm, 355 mm  
 and 406 mm

## Diameter tolerance:

$\pm 1$  mm

## Billet cut lengths:

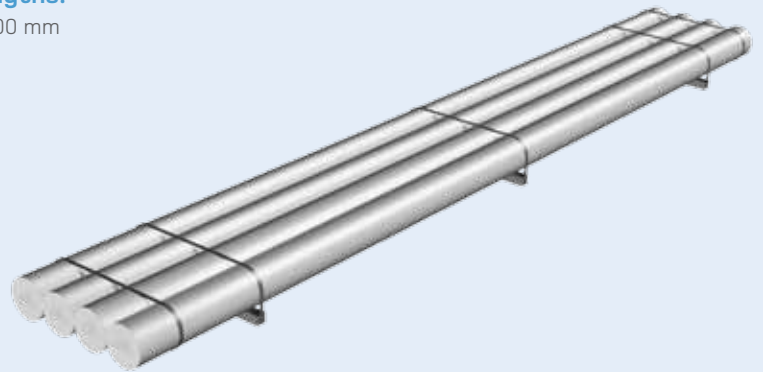
405 mm to 7,500 mm

## Alloys:

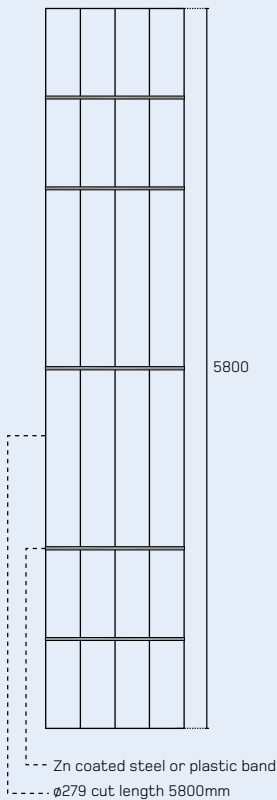
Produced in common AA alloy series 1000,  
 3000 and 6000 to customer specifications.

## Packaging:

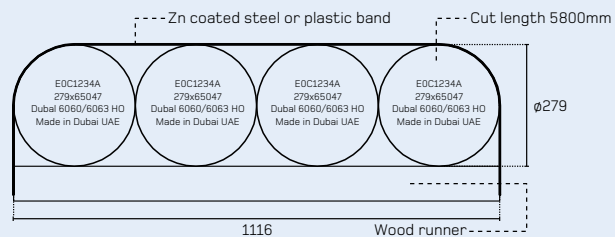
Packed in steel or plastic-strapped  
 bundles on wooden runners for  
 convenient fork-lift handling.



Plan View



Front View



Side View

